

SPECIFICATION

Mercedes-Benz



Inground lift
Capacity 5 T

RAV1150U MB

Dokumentennummer: 009359 PB RAV 1150U MB-5t



S224A3



S224A4



S370A18



S370A17



S370A19

Art. No.	Q.ty	Description
		RAV1150U MB Inground lift, capacity 5 T <i>Supplied with the lift:</i>
S224A3	Set of 4	Quick drop-in spacers H= 80 mm
S224A4	Set of 4	Quick drop-in spacers H= 140 mm
S370A18	Set of 4	Quick drop-in spacers H= 200 mm
S370A17	Set of 2+2	Mercedes Sprinter holding set
S370A19	Set of 4	Set of supports for chassis lifting

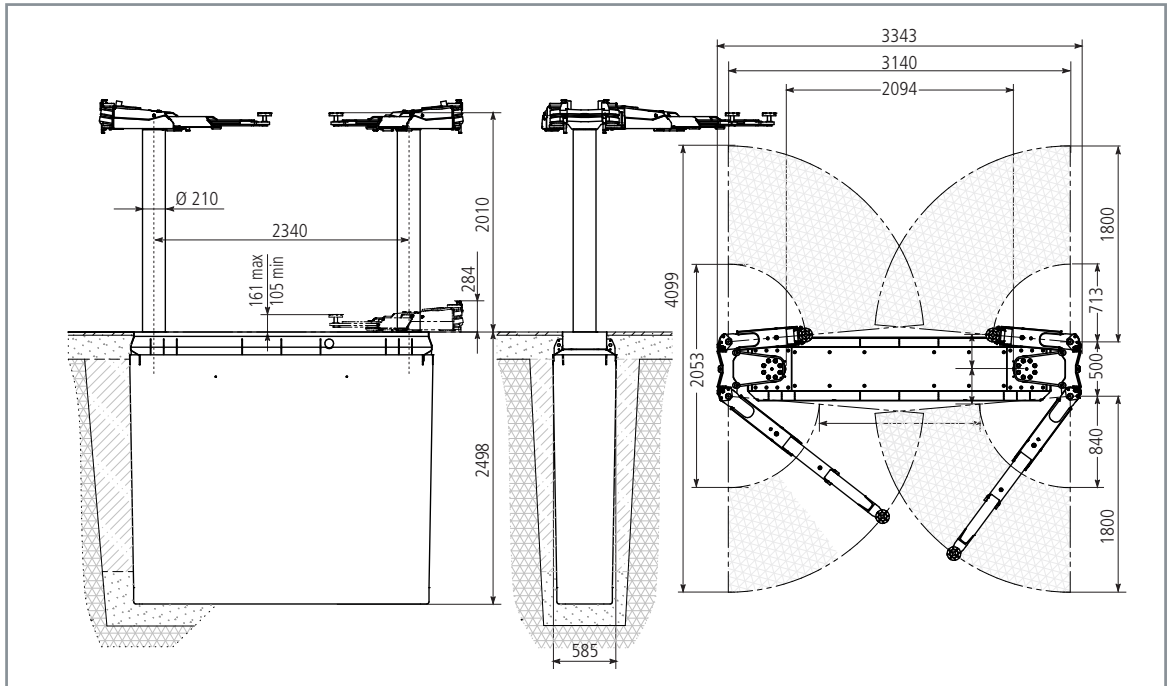
SPECIFICATION

Mercedes-Benz



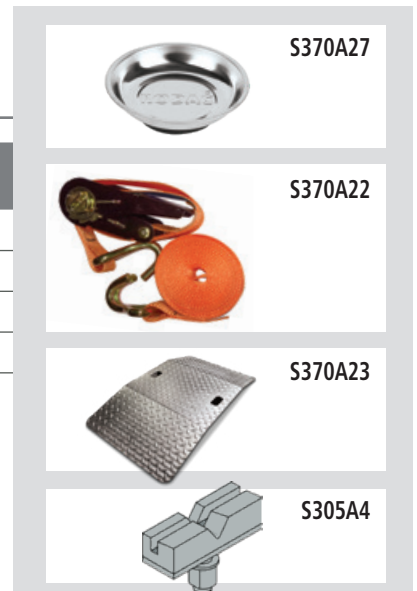
Inground lift
Capacity 5 T

RAV1150U MB



Accessories on request:

Art. No.	Q.ty	Description
S370A27	Set of 2	Bowls
S370A22	1	Belts kit
S370A23	Set of 4	Set of ramps for extra low vehicles
S305A4	Set of 4	V-shaped supports (adjustable H=150/190mm)



Ravaglioli S.p.A.

via 1° maggio 3 - Fraz. Pontecchio M. - 40037 Sasso Marconi (Bo) - Italia

Tel. +39 - 051-6781511 - Fax +39 - 051-846349 - rav@ravaglioli.com - www.ravaglioli.com

a DOVER company