



**New manufacturing line!**

1. Made in Spain
2. Competitive price



**Two post lift with base 3T**  
Model: 4EB0510



**Double Scissor Lift 3T**  
Model: 4EE0310



**Two post lift without base 3T**  
Model: 4EC0510

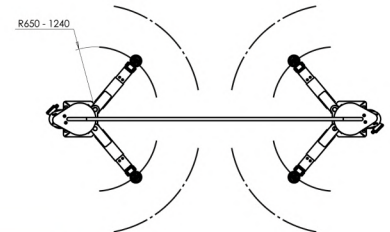
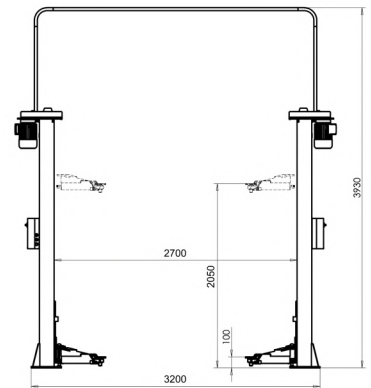
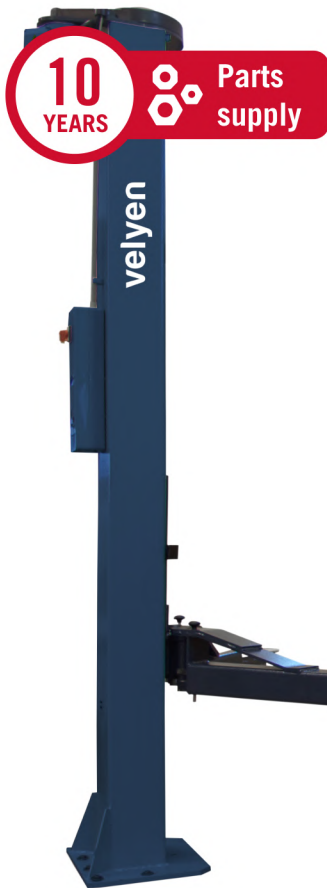
## AUTUMN SPECIAL OFFER

ONLY UNTIL  
**NOVEMBER 30!**

ECO SPAIN 2 post lift without base 3.0T Model: 4ECO510

## Best price/performance ratio Easy to use with the best price

- Maximum stability: high quality sliders ensure the stability of the carriages



**Special prices**

**From 6 units**

Versatile arms



Self Diagnosis System SCS



Low maintenance



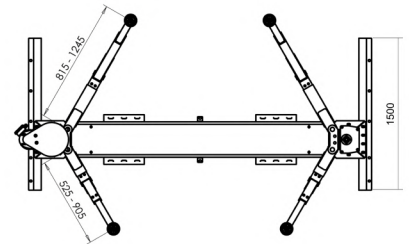
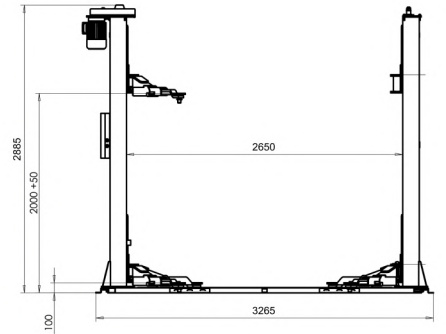


**ONLY UNTIL  
NOVEMBER 30!**

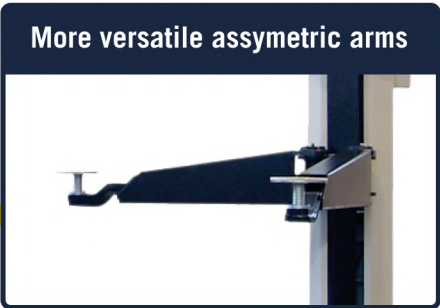
ECO SPAIN 2 post lift with base 3.0T Model 4EB0510

# The most versatile and productive lift made in Spain

- Maximum stability: high quality sliders ensure the stability of the carriages



**Special prices**  
From 6 units



ONLY UNTIL  
**NOVEMBER 30!**

New ECO SPAIN Double Scissor Lift 3,0Ton model : 4EE0310

# Simple to operate, with the maximum safety

- Experience the Scissor Lift with NO air supply required, automatic levelling.



**Special prices**

**From 6 units**


**Optional:**  
Kit for recessed installation

**Automatic Bleeding**



Automatic Bleeding

**Low Profile 105 mm**



**Max. load: 3000 KG**



**SPAIN**

Parque Industrial Ciudad de Carlet  
C/ Camino del Carrasqueral, Nº 6  
46240 Carlet - Valencia (SPAIN)  
T(+34)962543073-Fx(+34)962543074  
EMAIL [export.a@velyen.com](mailto:export.a@velyen.com)

**MÉXICO**

Boulevard Córdoba - Fortín Km 335  
94540 Córdoba - Veracruz (México)  
T (+52) 2717165599  
EMAIL [director@velyen.com.mx](mailto:director@velyen.com.mx)

**UK**

1, Southgate Industrial Park, Green Ln  
Heywood OL10 1ND  
T +44 (0)1706 563007  
EMAIL [export.b@velyen.com](mailto:export.b@velyen.com)  
WEB [www.velyen.co.uk](http://www.velyen.co.uk)